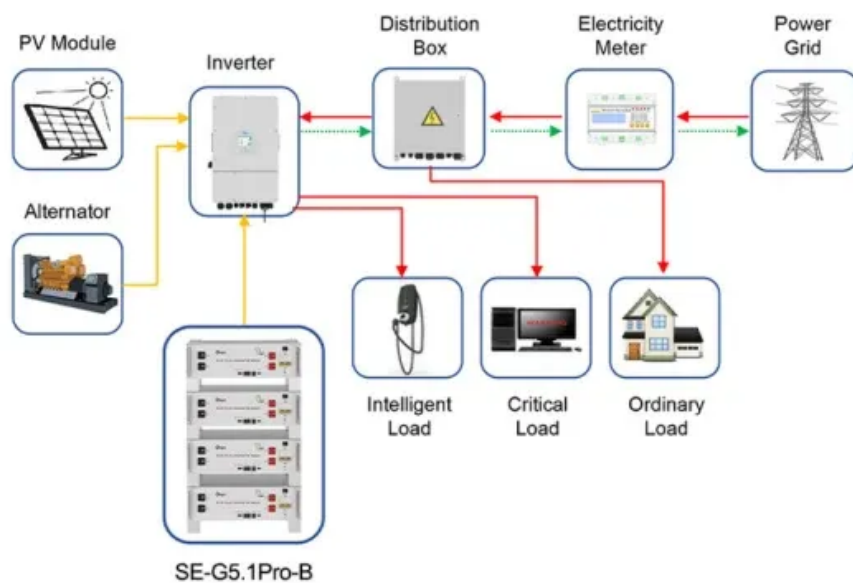


Dynamic diagram of photovoltaic tracking bracket principle



Application scenarios of energy storage battery products



Overview

A solar single-axis tracking support containing a dynamic triangular tracking supporting structure, comprising: a main beam (2), a plurality of cross beams (3), a supporting structure (4), and a plurality of single stand columns (5); the main beam (2) is fastened together with.

Dynamic diagram of photovoltaic tracking bracket principle



DYNAMIC Definition & Meaning , Dictionary

DYNAMIC definition: pertaining to or characterized by energy or effective action; vigorously active or forceful; energetic. See examples of dynamic used in a sentence.

[Demystifying the Photovoltaic Automatic Tracking Bracket Structure](#)

Ever stared at a photovoltaic automatic tracking bracket structure diagram and felt like you're reading alien hieroglyphics? You're not alone. These technical schematics hold the key to 20-40% greater



DYNAMIC Definition & Meaning

The meaning of DYNAMIC is marked by usually continuous and productive activity or change. How to use dynamic in a sentence.

Dynamic Garage Door

Dynamic Garage Door is southern California's premier designer and manufacturer of custom wood garage doors, gates, & shutters.



Photovoltaic tracking bracket structure diagram

The goal of this thesis was to develop a laboratory prototype of a solar tracking system, which is able to enhance the performance of the photovoltaic modules in a solar energy system.

[Dynamic Management Services Inc., HOA Management Company](#)

Dynamic Management Services Inc. provides HOA Management Services. You can find them on the internet by visiting their website or calling them at the phone number listed above.



Dynamic

An interactive system or process, especially one involving competing or conflicting forces: "The traditional nineteenth-century dynamic between the sexes had begun to erode" (Jean Zimmerman).

DYNAMIC Synonyms & Antonyms

Find 98 different ways to say DYNAMIC, along with antonyms, related words, and example sentences at Thesaurus .



[Photovoltaic tracking support containing dynamic triangular tracking](#)

This patent is applicable to the tracking bracket and system of solar panels in solar power plants, and particularly relates to an adjustable solar tracking bracket and system for

[A horizontal single-axis tracking bracket with an adjustable tilt angle](#)

Fig. 18 illustrates the relationship between the PV tracking path and horizontal irradiance, and Fig. 19 depicts the PV power curves of the fixed bracket and the ARTT system in clear weather.



[Dynamic Living Counseling - DUI, Screening, Outpatient Treatment](#)

Our CR8 program uses evidence-based



[DYNAMIC definition in American English , Collins English Dictionary](#)

If you describe something as dynamic, you approve of it because it is very active and energetic.

techniques from Cognitive Behavioral Therapy, Trauma informed care, and Dialectical Behavioral Therapy to address several behavioral topics.



Dynamic

If a person, place, or thing is energetic and active, then it's dynamic. When things are dynamic, there's a lot going on.

DYNAMIC , English meaning

DYNAMIC definition: 1. having a lot of ideas and enthusiasm: 2. continuously changing or developing: 3. A dynamic. Learn more.



Solar Tracking Structure Design

The team is considering adding a second manual axis to track the varying sun angles from season to season. The addition of a second axis is only a 3-8% increase in efficiency and installation of the

Contact Us

For catalog requests, pricing, or partnerships, please visit:
<https://www.peyronies.us>