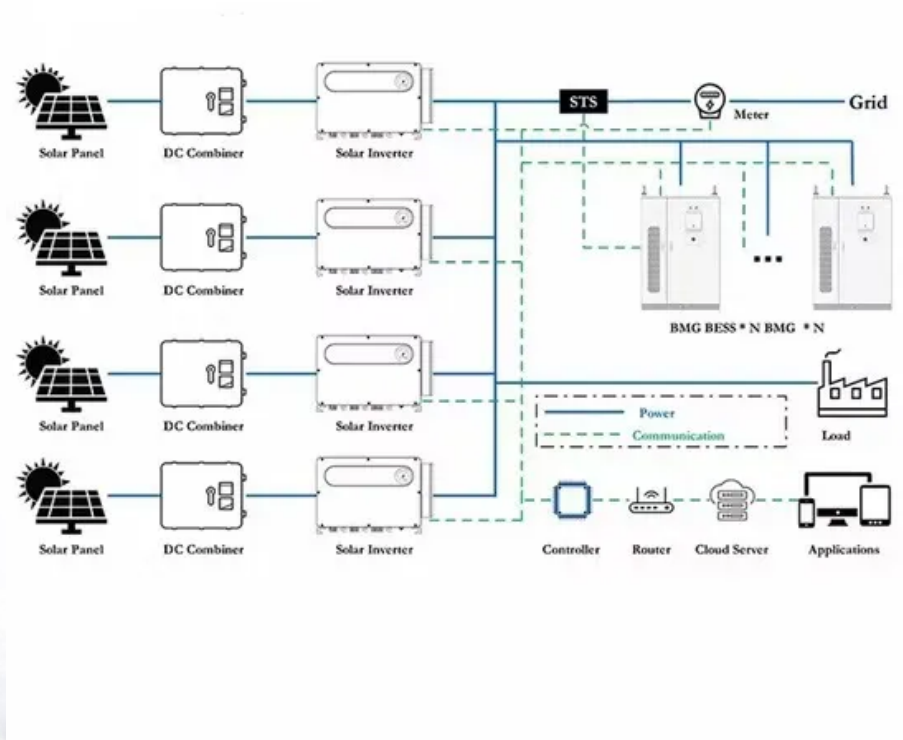


# How many nanometers does it take for a communication base station to complement solar power



## Overview

---

A complete RTK base station requires five essential components: a dual-frequency GNSS receiver, a survey-grade antenna, a communication device, a power system, and mounting equipment.

## How many nanometers does it take for a communication base station

---



[Recommendations on Base Station Antenna Standards v11.1](#)

The scope of this paper is limited to passive base station antennas. Even though antennas will not be categorized in performance-classes, this paper will address antennas built for different purposes.

### Chat Marketing Made Easy with Manychat

Sell more, engage better, and grow your audience with powerful automations for Instagram, WhatsApp, TikTok, and Messenger. " We've used Manychat to generate over \$65 million in sales " My



[MANY definition and meaning , Collins English Dictionary](#)

You use many to indicate that you are talking about a large number of people or things. I don't think many people would argue with that. Not many films are made in Finland. Do you keep many books

### Optimal Solar Power System for Remote

Hence, this study addresses the feasibility of a solar power system based on the characteristics of South Korean solar radiation exposure to supply

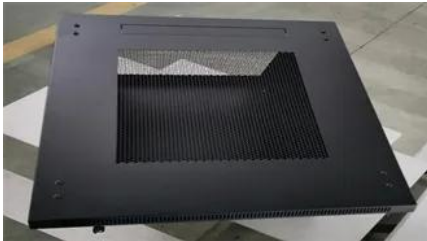


### What is a Base Station?

A base station is a common term used in telecommunications for a radio receiver with one or more antennae. While the base station has many

**MANY , English meaning**

We use the quantifiers much, many, a lot of, lots of to talk about quantities, amounts and degree. We can use them with a noun (as a determiner) or without a noun (as a pronoun).



[Base-Station Antenna Arrays in Mobile Communications](#)

Abstract This paper describes the utilization of antenna arrays at the base stations of mobile communication systems. Multiple antennas can provide a processing gain to increase the base

[Apollo 11 Communication System: How NASA Talked to the Moon in](#)

In this article, we'll explore the revolutionary communication system that made the Apollo 11 mission possible, examine persistent myths about lunar communication, and compare this groundbreaking



[AAU's and their role in the Evolution of Base Station](#)

At Carritech, we understand the critical importance of reliable base station equipment in maintaining seamless communication networks. Whether you're in

[Solar Powered Cellular Base Stations: Current Scenario, Issues](#)

Cellular base stations powered by renewable energy sources such as solar power have emerged as one of the promising solutions to these issues. This article presents an overview of the state-of-the-art in





[Design of Base Station Density for Maximizing Coverage Probability in](#)

Emerging multicell networks such as mmWave, THz, and sub-6GHz UDN networks are often modeled via mixed channels including line-of-sight (LoS) and non-LoS (NLoS). These mixed LoS and NLoS

[How does distance from a base station affect Post-Processing](#)

As you said, lots of variables affect your results, but distance usually boils down to 1ppm - that is, 1mm per km that you are from the base station. So, if you're trying to maintain a level of accuracy further



**MANY Definition & Meaning , Dictionary**

MANY definition: constituting or forming a large number; numerous. See examples of many used in a sentence.

**MANY Synonyms & Antonyms**

Find 74 different ways to say MANY, along with antonyms, related words, and example sentences at Thesaurus .



**MANY Definition & Meaning**

The meaning of MANY is consisting of or amounting to a large but indefinite number. How to use many in a sentence.

[What Does many Mean? Definition & Examples , Dictionary](#)

Learn what many means with clear definitions, pronunciation, synonyms, and real-world examples. Simple explanations to help you use



many correctly.



### The Many

The Many is a music collective creating alternative contemporary progressive Christian songs and liturgies to inspire a new way to worship.

### Much vs Many: A Simple Guide to Correct Usage

The words "much" and "many" both describe quantity, but they are used in different contexts. "Much" is used with uncountable nouns, such as "water" or "time," while "many" is used



### [How do you set up an RTK base station for surveying?](#)

A complete RTK base station requires five essential components: a dual-frequency GNSS receiver, a survey-grade antenna, a communication device, a power system, and mounting equipment.

## Contact Us

---

For catalog requests, pricing, or partnerships, please visit:  
<https://www.peyronies.us>